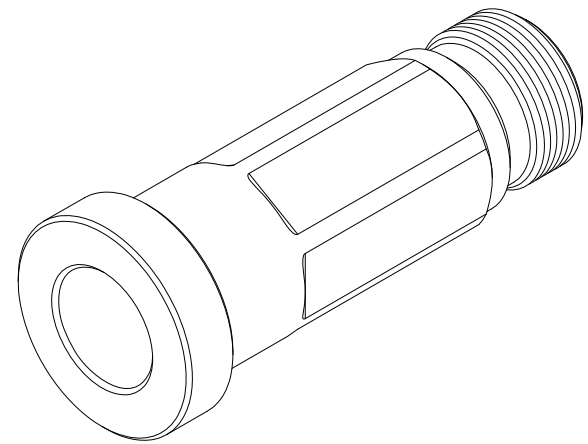


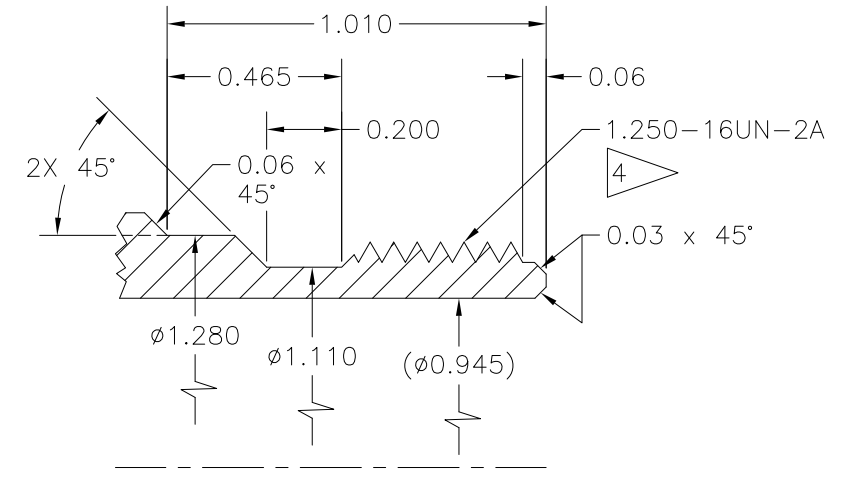
NOTES:

1. MATERIAL: BAR, 17-4PH/15-5PH, $\phi 1.750 \times 4.290$ LG.
2. HEAT TREAT: COMMERCIAL HT.
3. SURFACE TREATMENT: XYLAN COAT (O.D. ONLY) OR EQ.
4. ∇ 1.250-16UN-2A
60° V-THREAD
EXTERNAL CLASS 2A
MAJOR DIA. = 1.249/1.239
5. WEIGHT: 0.93 LBS.

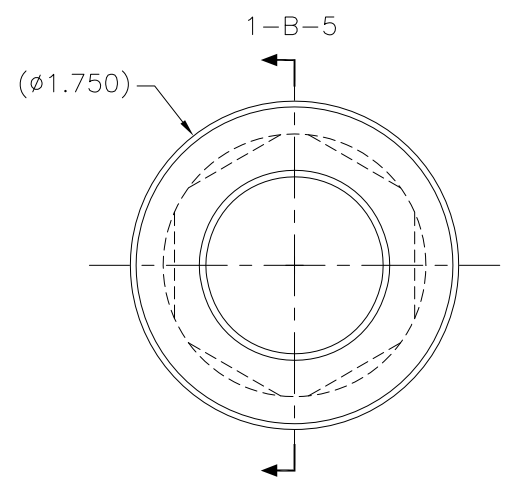
REVISIONS				
NO	DESCRIPTION	DATE	BY	APR/DATE
0	ISSUED FOR MANUFACTURE	05/12/10		



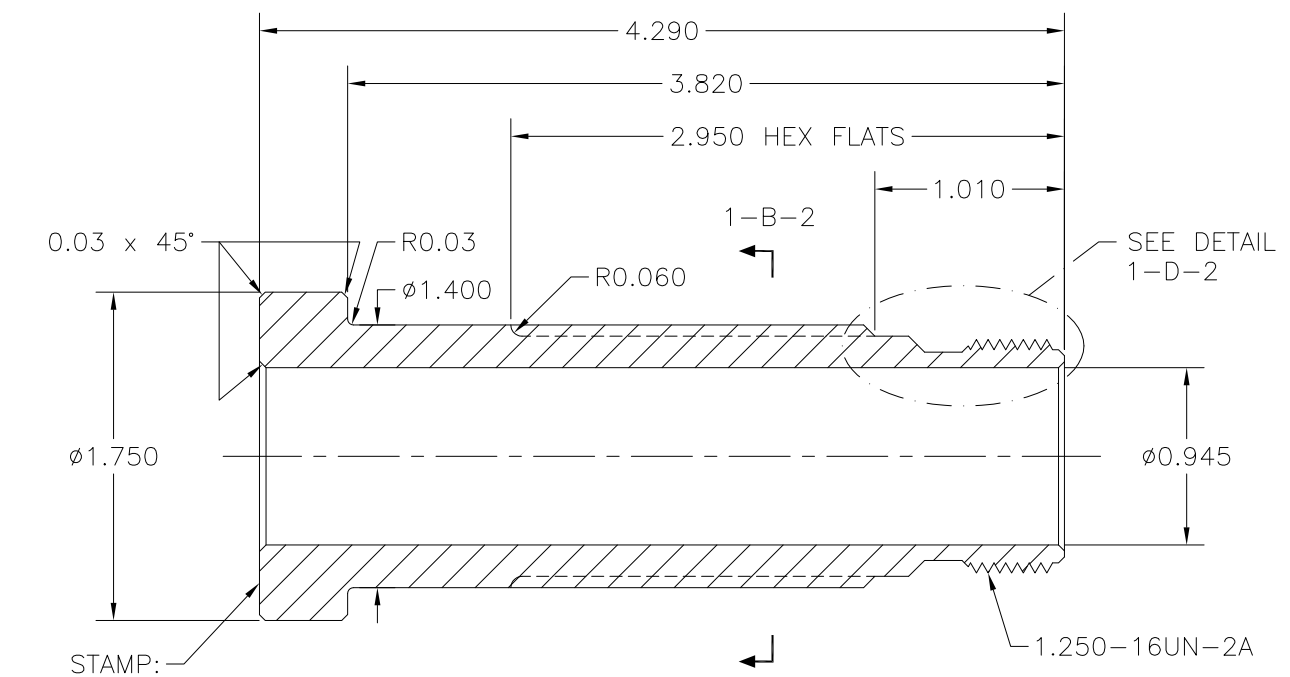
PICTORIAL 1-D-5
INNER COUPLER
N.T.S.



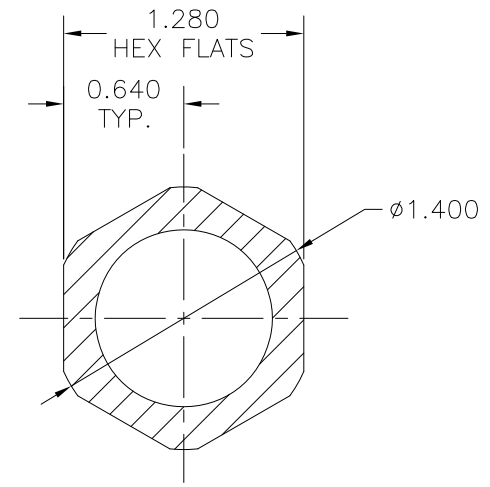
DETAIL 1-D-2
REF. 1-B-3



END VIEW 1-B-7
INNER COUPLER



SECTION 1-B-5
REF. 1-B-7



SECTION 1-B-2
REF. 1-B-4

TOLERANCES: UNLESS OTHERWISE SPECIFIED 0.X ± 0.030 0.XX ± 0.010 0.XXX ± 0.005 ANGLES ± 1/2° BREAK EDGES 0.015 x 45° MIN. FINISH 125 [0.010]A ALL DIMS ARE IN INCHES, UNLESS NOTED OTHERWISE.	PROPRIETARY NOTICE THIS DRAWING AND THE INFORMATION IT CONTAINS ARE CONSIDERED CONFIDENTIAL, AND MAY NOT BE REPRODUCED, COPIED OR USED, IN PART OR IN WHOLE, WITHOUT PRIOR WRITTEN CONSENT.	Integrated Ocean Drilling Program TEXAS A&M UNIVERSITY 1000 DISCOVERY DRIVE COLLEGE STATION, TX 77845	
		TITLE INNER COUPLER	
SHEET 1 OF 1		ASSEMBLY 3 ERS	
SCALE 1:2		SYSTEM	
BY KM		DATE 04/01/10	
APPROVED TP		CHECKED JCS	
SIZE D		P/N ERS-015	
REV. 0		REV. 0	